

Single Color Light Bar Array Series



超級高亮度. 超級低耗電

半導體照明的實現者

特色：

1. 高亮度；且超低耗電量。
2. 重量輕；易於安裝及拆除。
3. 白光色溫符合美國能源局DOE規範。
4. LED亮度60 lm/W，每組可達3600 lm。
5. 使用Non-YAG螢光粉，不侵犯日亞專利。
6. 白光光色混色均勻，無月暈或色差現象。
7. 可選擇IP65防塵防水等級，結構堅固耐用。
8. 採用世界各國安規認證通過全電壓電源供應器。
9. 相較於400W水銀燈，一年電費可省下電費新台幣7仟元。
10. 相較於市場上同瓦數LED燈，具重量輕、價格合理之優點。

光盤規格 SLB ARRAY SPEC.

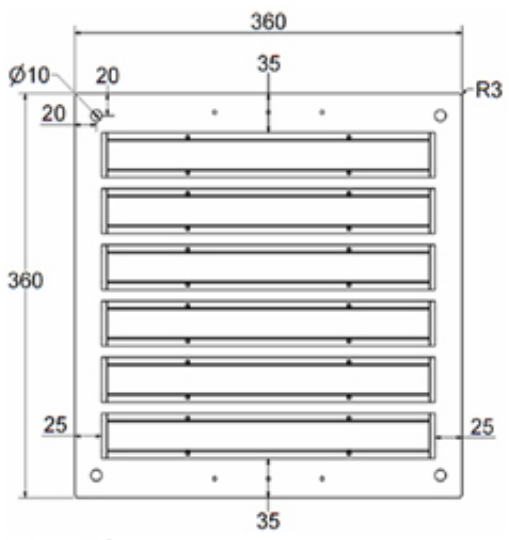
SLB252-A6x6



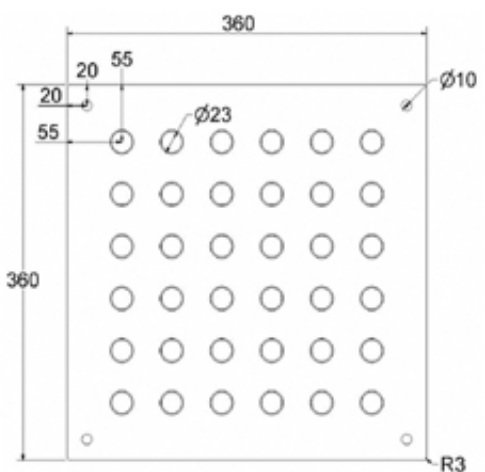
Specifications:

| Power Specifications | |
|--|--|
| Input Voltage | 100 ~ 240V (50 ~ 60Hz) |
| Power Type | AC (50 ~ 60Hz) |
| Input Current | 0.83 A (@110V) 0.42 A (@220V) |
| Power Consumption | 90 W (include lamps and power supply) |
| Optical Specifications | |
| Operating Life | >10,000 hours |
| Environment Specifications | |
| Temperature | 60 ℃ |
| Operating Temperature | -20 ~ 40 ℃ |
| Storage Temperature | -20 ~ 50 ℃ |
| Operating Humidity | 10 ~ 90 % |
| Mechanical Dimension | |
| Weight | 4 kgs |
| * To Avoid Excessive High Temperature, Please Do Not Put It In The Airtight Place. | |

Dimension Diagrams:

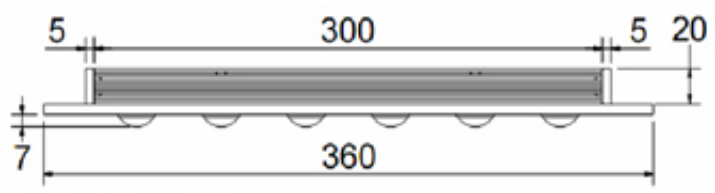
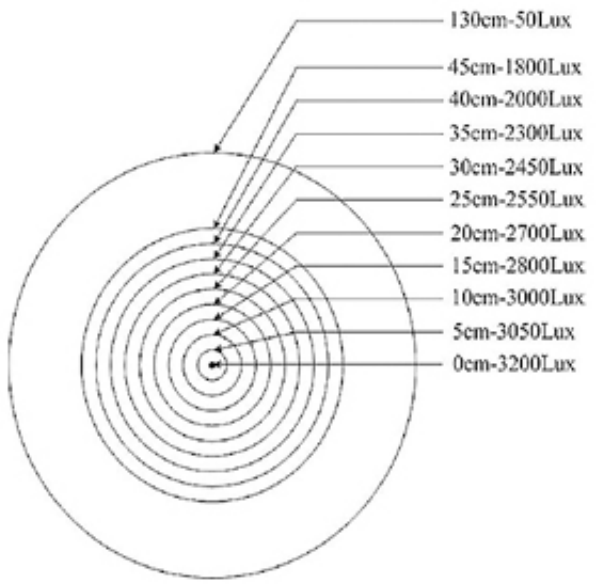


Top View

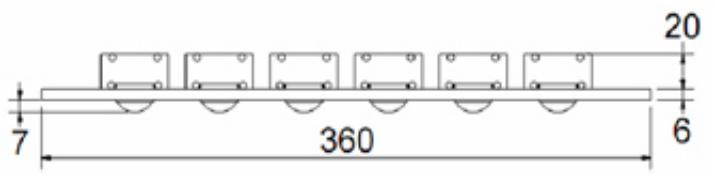


Bottom View

Illumination Diagram (@1 meter):



Side View-1



Side View-2

Unit: mm

光盤規格 SLB ARRAY SPEC.

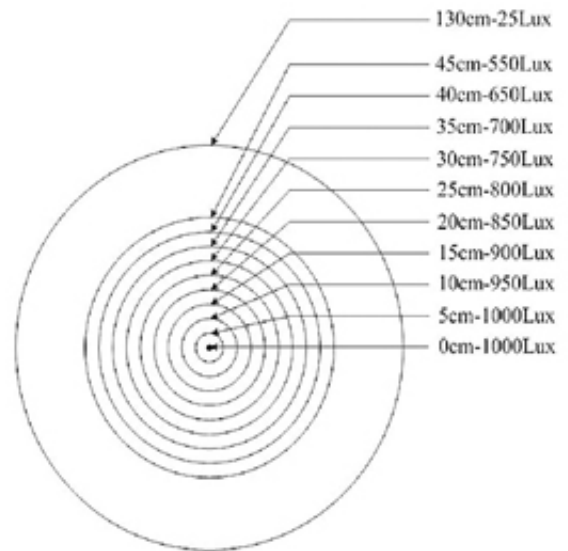
SLB252-A6x2



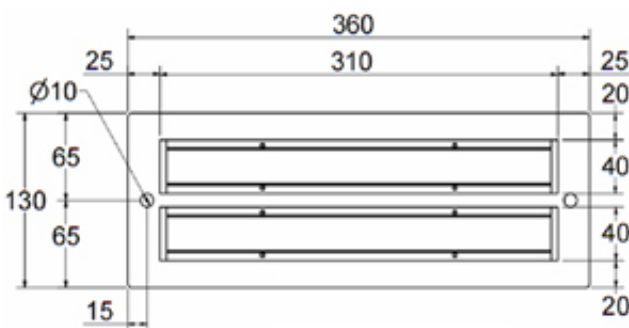
Specifications:

| Power Specifications | |
|--|--|
| Input Voltage | 100 ~ 240V |
| Power Type | AC (50 ~ 60Hz) |
| Input Current | 0.3 A (@110V) 0.15 A (@220V) |
| Power Consumption | 30 W (include lamps and power supply) |
| Optical Specifications | |
| Operating Life | >10,000 hours |
| Environment Specifications | |
| Temperature | 60 ℃ |
| Operating Temperature | -20 ~ 40 ℃ |
| Storage Temperature | -20 ~ 50 ℃ |
| Operating Humidity | 10 ~ 90 % |
| Mechanical Dimension | |
| Weight | 2 kgs |
| * To Avoid Excessive High Temperature, Please Do Not Put It In The Airtight Place. | |

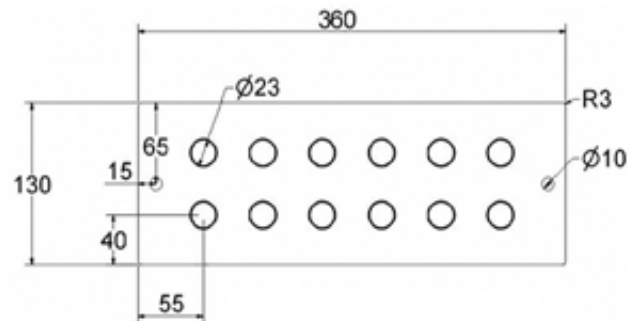
Illumination Diagram (@1 meter):



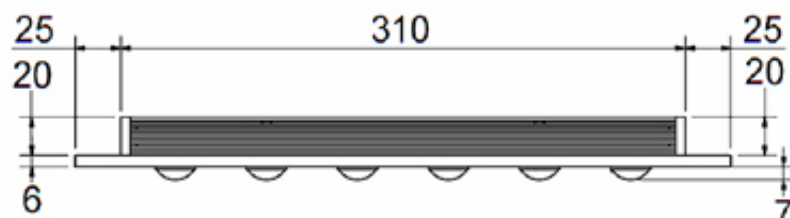
Dimension Diagrams:



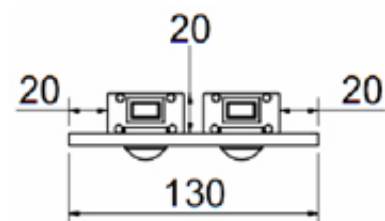
Top View



Bottom View



Side View-1



Side View-2

Unit: mm