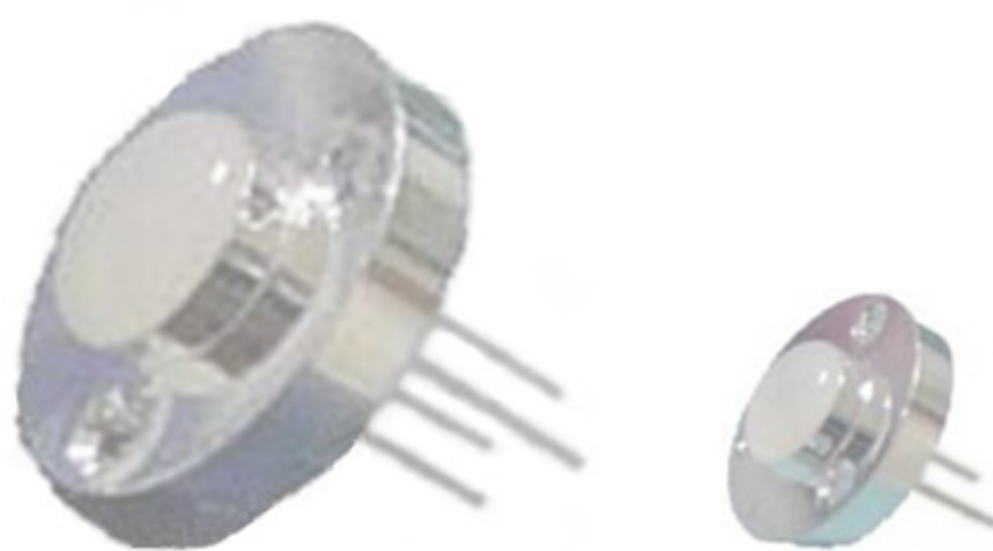


LED Module Series



獨家研發之LED模組

帶來更不可思議的新科技



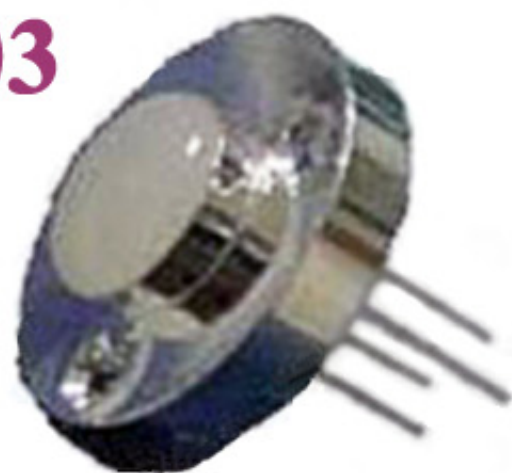
特色：

1. 擁有台灣大陸及世界國際3項專利。
2. 白光色溫符合美國能源部DOE規範。
3. LED亮度50 lm/W，總亮度達160 lm。
4. 使用Non-YAG螢光粉，不侵犯日亞專利。
5. 白光混色均勻，無月暈及光色混雜現象。
6. 白光3色及其他色光10色；共高達13種顏色。

LED模組規格 SPECIFICATIONS

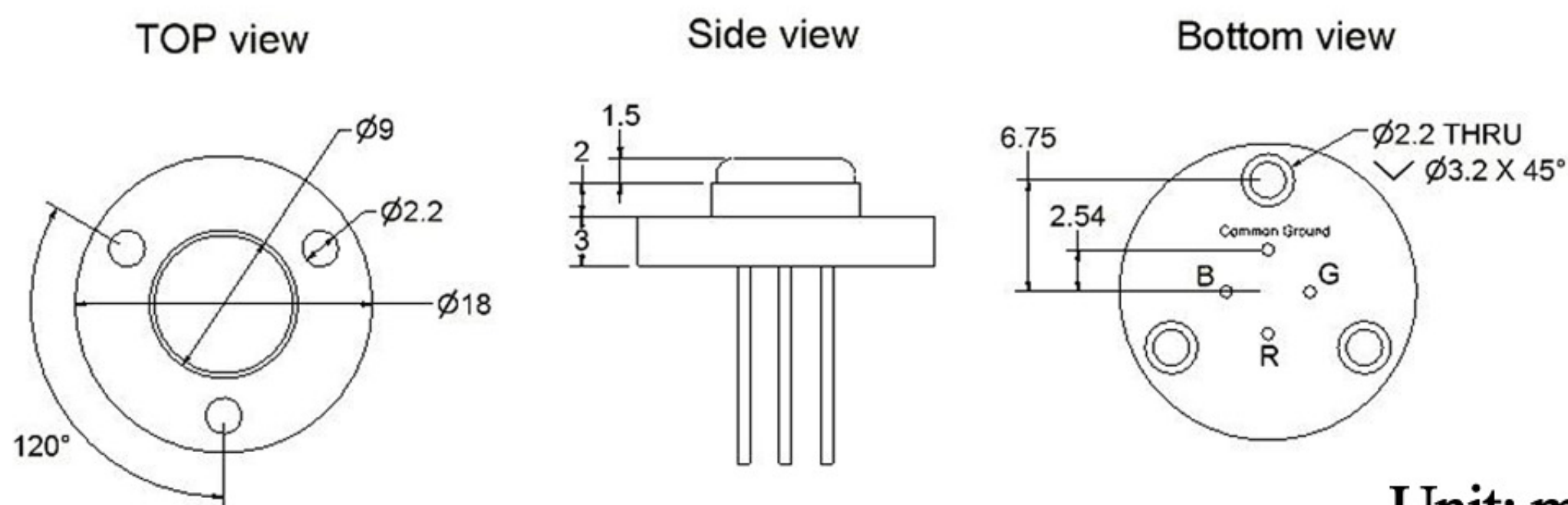
變色模組 Multi-Color LED Module

LEM103



Power Consumption	3W
Red dies Forward Voltage (V_f)	2.2 ~ 2.6V
Green dies Forward Voltage (V_f)	2.7 ~ 3.8V
Blue dies Forward Voltage (V_f)	2.7 ~ 3.8V
Forward Current (V_f)	350mA
Operating Life	20000 hours

尺寸圖 Dimension Diagram:



Unit: mm

單色模組 Single Color LED Module

LEM201



Power Consumption	1W
LED dies Forward Voltage (V_f)	2.2~ 3.6V
LED dies Forward Current (V_f)	350mA
Operating Life	20000 hours

Color Table of LEM201:

No.	Item	Bin Code	Color Temperature / Dominant Wavelength	Lumen Flux (Typical)	Color
1	Red	1000	625 nm	29±4 lm	
2	Green	2000	525 ~ 535 nm	36±5 lm	
3	Blue	3000	460 ~ 465 nm	48±1 lm	
4	Amber	4000	590 nm	23±4 lm	

LED模組規格 SPECIFICATIONS

單色模組 Single Color LED Module

LEM202



Power Consumption	1.75W
LED dies Forward Voltage (V_f)	3.3 ~ 3.6V
LED dies Forward Current (V_f)	500mA
Operating Life	20000 hours

Color Table of LEM202:

No.	Item	Bin Code	Color Temperature / Dominant Wavelength	Lumen Flux (Typical)	Color
1	Cool White	ColW	5400 ~ 6600 K	80±10 lm	
2	Incandescent White	IcdW	4200 ~ 4900 K	80±10 lm	
3	Warm White	WarW	2700 ~ 3100 K	65±10lm	

LEM203

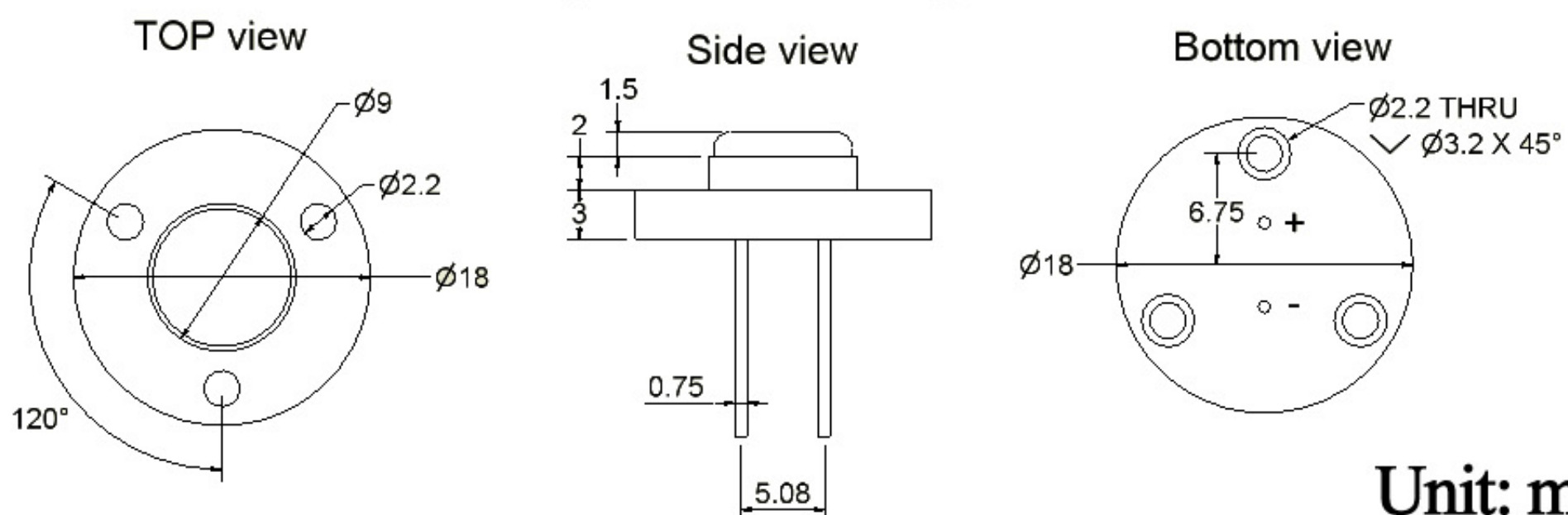


Power Consumption	3.5W
LED dies Forward Voltage (V_f)	9.9 ~ 10.8V
LED dies Forward Current (V_f)	350mA
Operating Life	20000 hours

Color Table of LEM203:

No.	Item	Bin Code	Dominant Wavelength	Lumen Flux (Typical)	Color
1	Red	1110	625 nm	48±4 lm	
2	Green	2220	525 ~ 535 nm	60±15 lm	
3	Blue	3330	460 ~ 465 nm	10±3 lm	
4	Amber	4440	590 nm	37±11lm	
5	Light Purple	1330	-	14±4 lm	
6	Magenta	1130	-	20±6 lm	
7	Cyan	2230	-	31±9 lm	
8	Light Blue	2330	-	19±6 lm	
9	Grass Green	1220	-	46±13 lm	
10	Orange	1120	-	33±10 lm	

尺寸圖 Dimension Diagram of Single Color Module:



LED模組規格 SPECIFICATIONS

單色模組 Single Color LED Module

LEM204



Power Consumption	3.5W
LED dies Forward Voltage (V_f)	6.6 ~ 7.2V
LED dies Forward Current (V_f)	500mA
Operating Life	20000 hours

Color Table of LEM204:

No.	Item	Bin Code	Color Temperature	Lumen Flux (Typical)	Color
1	Cool White	ColW	5400 ~ 6600 K	160±15 lm	<input type="checkbox"/>
2	Incandescent White	IcdW	4200 ~ 4900 K	160±15 lm	<input type="checkbox"/>
3	Warm White	WarW	2700 ~ 3100 K	140±15 lm	<input type="checkbox"/>

BLEM202



Power Consumption	1.75W
LED dies Forward Voltage (V_f)	3.3 ~ 3.6V
LED dies Forward Current (V_f)	500mA
Operating Life	20000 hours

Color Table of BLEM202:

No.	Item	Bin Code	Color Temperature	Lumen Flux (Typical)	Color
1	Cool White	ColW	5400 ~ 6600 K	100±10 lm	<input type="checkbox"/>
2	Incandescent White	IcdW	4200 ~ 4900 K	100±10 lm	<input type="checkbox"/>
3	Warm White	WarW	2700 ~ 3100 K	85±10lm	<input type="checkbox"/>

單色模組成品編碼 Code of Single Color Module

◆ LEM 201 - □□□□
(color)

Color:	1000	2000	3000	4000
--------	------	------	------	------

◆ LEM 202 - □□□□
(color)

Color:	ColW	IcdW	WarW	-
--------	------	------	------	---

◆ LEM 203 - □□□□
(color)

Color:	1110	2220	3330	4440
	1330	1130	2230	2330
	1220	1120	-	-

◆ LEM 204 - □□□□
(color)

Color:	ColW	IcdW	WarW	-
--------	------	------	------	---

◆ BLEM 202- □□□□
(color)

Color:	ColW	IcdW	WarW	-
--------	------	------	------	---