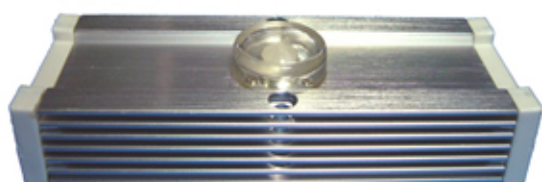


# 變色光條規格 MLB SPEC.



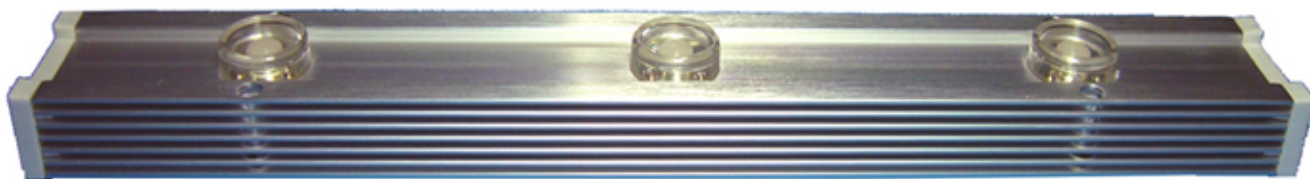
**MLB153-10**

<b>Input Voltage</b>	9Vac ~ 18Vac 9Vdc ~ 22Vdc
<b>Input Current</b>	< 600 mA
<b>Power Consumption</b>	5 W
<b>Total No. of LED Module</b>	1
<b>Illuminate Angle</b>	± 80 degrees
<b>Dimension (L x W x H)</b>	110 x 40 x 20 (mm)



**MLB153-20**

<b>Input Voltage</b>	9Vac ~ 18Vac 9Vdc ~ 22Vdc
<b>Input Current</b>	< 1200 mA
<b>Power Consumption</b>	10 W
<b>Total No. of LED Module</b>	2
<b>Illuminate Angle</b>	± 80 degrees
<b>Dimension (L x W x H)</b>	210 x 40 x 20 (mm)

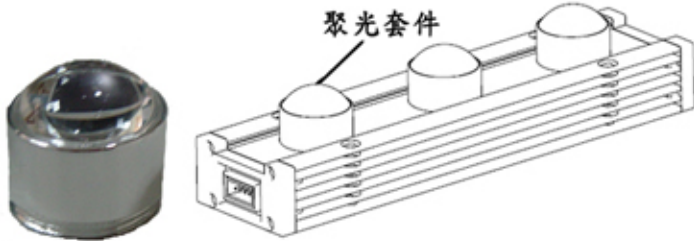



**MLB153-30**

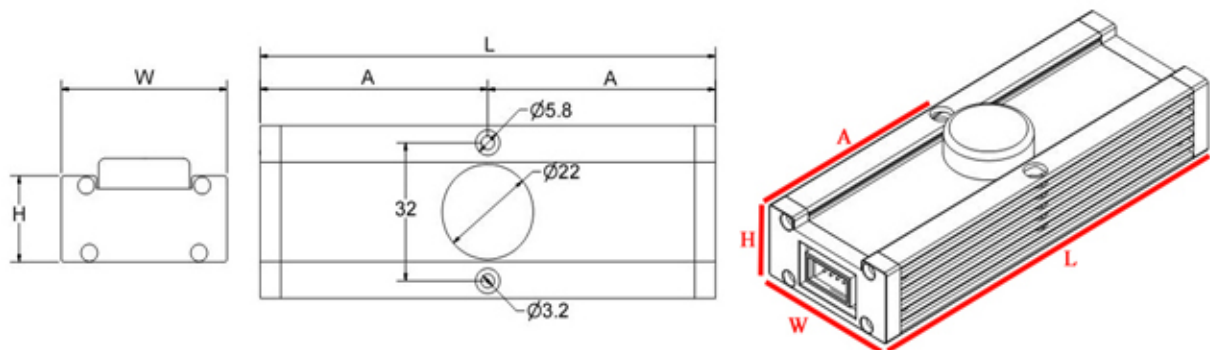
<b>Input Voltage</b>	9Vac ~ 18Vac 9Vdc ~ 22Vdc
<b>Input Current</b>	< 1800 mA
<b>Power Consumption</b>	15 W
<b>Total No. of LED Module</b>	3
<b>Illuminate Angle</b>	± 80 degrees
<b>Dimension (L x W x H)</b>	310 x 40 x 20 (mm)

# 功能選項 OPTIONS

5 different function options are available to apply with MLB:

Option	Descriptions & Diagram
-L	<p><b>聚光透鏡(Lens Option)</b></p> <p>◆ 照射角度: ±26度 (Beam Angle: ±26 degrees)</p>  <p>聚光套件</p>
-U	<p><b>防水封裝選項(Waterproofing Option)</b></p>  <p>防水套件</p>
-A	<p><b>信號放大選項(Signal Amplify Function)</b></p> <p>◆ 具有信號放大功能，以透過這種方式擴大通信範圍並且擴大控制數量 (To amplify signal for controlling huge number of lamps and increase signal communication scope)</p>
-F	<p><b>電源頻率同步選項(Frequency Synchronous)</b></p> <p>◆ 可在AC50Hz與AC60Hz的狀況下同步 (Chang colors simultaneously under the freq. of AC50Hz/AC60Hz)</p>
-R	<p><b>RS485通信功能選項(RS485 Signal Communication)</b></p> <p>◆ 接收RS485信號，使光條隨著信號之控制命令作變化 (To control MSL by receiving RS485 signal)</p>

## 尺寸圖 DIMENSION DIAGRAM



L: Length=110/210/310 mm ; H: Height=20 mm

W: Width=40 mm ; A: 55 mm